

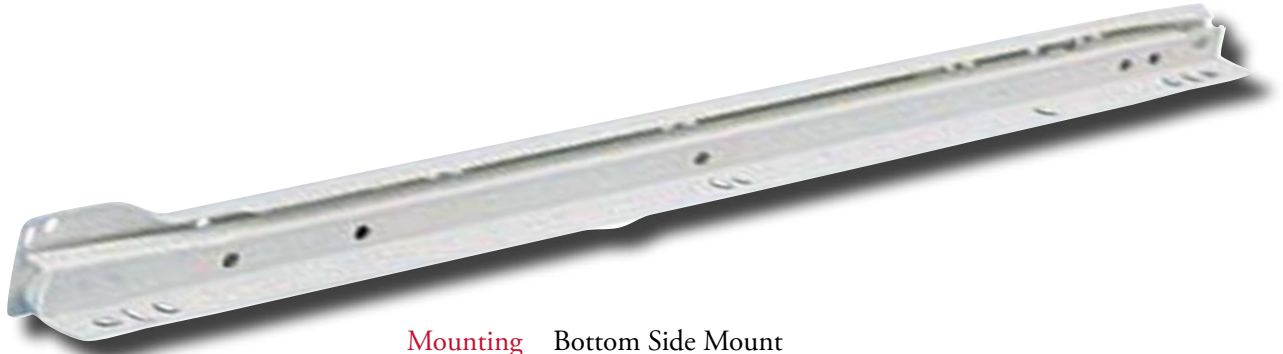
318 SPECS



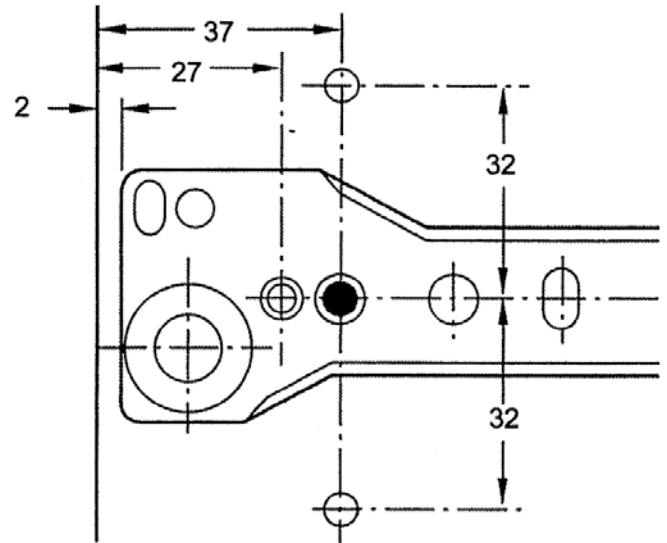
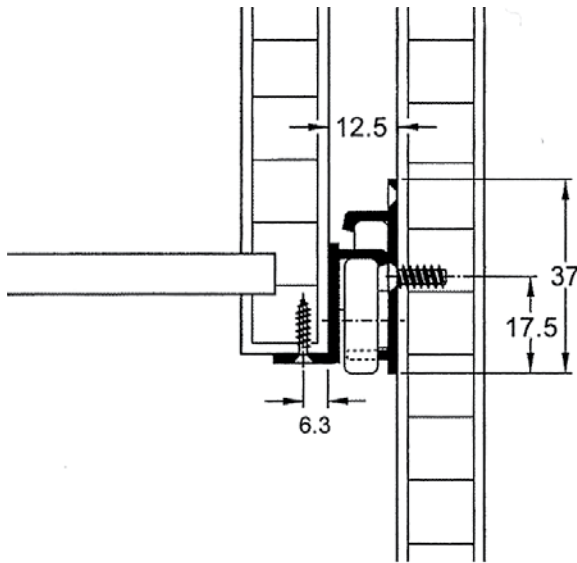
318 Drawer Slide Spec Sheet



Value European Epoxy 75LBS CAPACITY



- Mounting** Bottom Side Mount
- Slide Clearance** 12.7mm
- Height** 37mm
- Loading** 75 Pounds
- Size** 10, 12, 14", 16", 18", 20", 22"
- Feature** Self Closing, 1.2mm Thickness, 32mm hole pattern
- Finish** Creamy White finish



Part #	Size	Case	4+Cases	10+cases
318.12.10	12"	\$.73	\$.62	\$.57
318.14.10	14"	.85	.72	.66
318.16.10	16"	.97	.82	.76
318.18.10	18"	1.09	.92	.86
318.20.10	20"	1.21	1.02	.95
318.22.10	22"	1.33	1.12	1.04

25 per case - Sold in full cases quantities only